

Thunder 4K

4K UHD Broadcast + Through 7 Walls

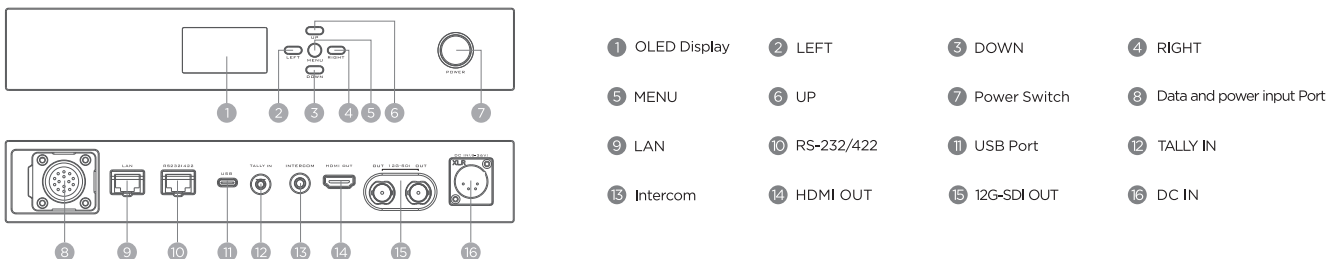
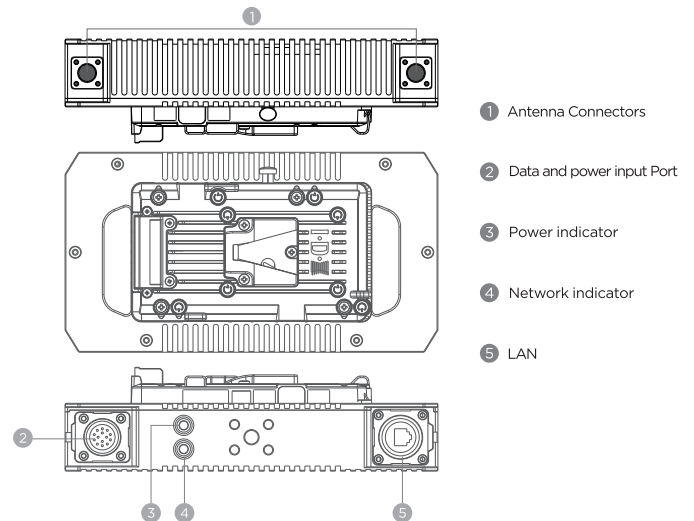
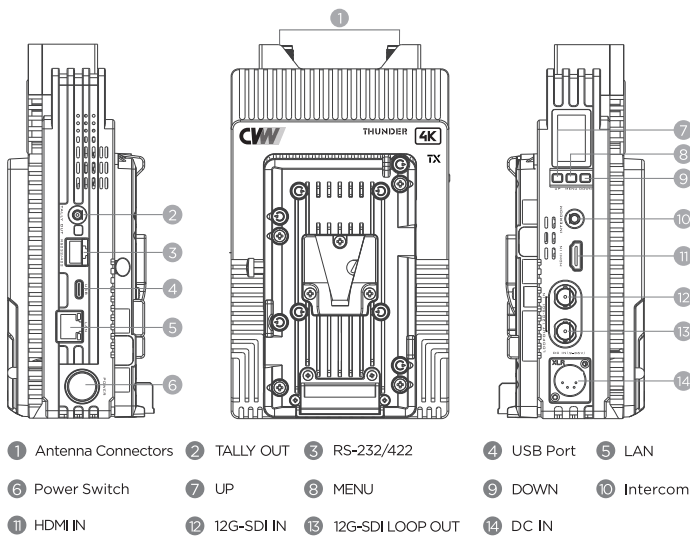
Model: 7161+3191+3192

- H.265/HEVC encoding and decoding
- Excellent through-wall performance, up to 1200 meters transmission range (NLoS)
- Support 4K HDR video, 10-bit with 4:2:2 chroma sampling
- Up to 4096x2160 60Hz, 3840x2160 60Hz video resolution
- Support 12G-SDI input/output, 12G-SDI loopout, HDMI input/output
- Ultra-low latency: < 70ms
- Support time code transmission via SDI
- Support Tally and full-duplex voice intercom
- Support RS232/422 bidirectional transparent transmission

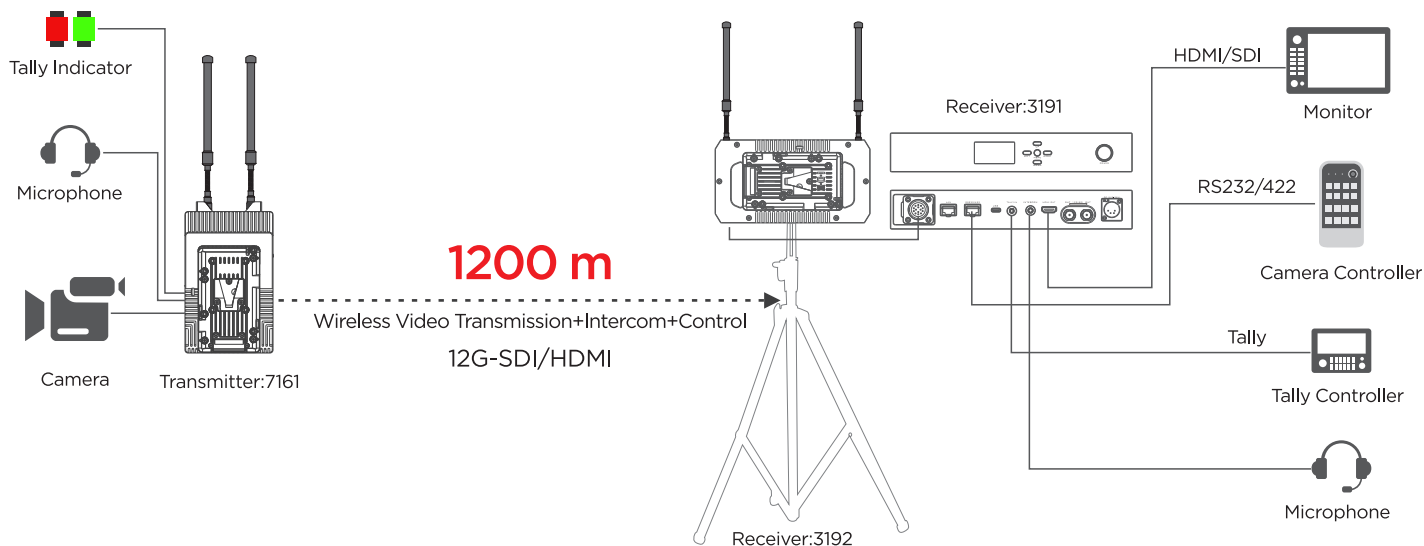


Through Wall Ability	1200 m+	4K HDR	4:2:2 10bit	12G-SDI
Timecode	Intercom	PTZ camera control	Ultra-low latency	H.265

Product Interfaces



Application Diagram



Item	Transmitter: 7161	Receiver: 3191+3192
Antenna Mode	2T2R	
Operating Frequency	1420-1530MHz	
Output Power	2W (33dBm)	
Transmission Distance	1200m (30Mbps)	
Video Resolution	SDI: 4096x2160 23.98/24/25/29.97/30/50/59.94/60Hz 3840x2160 23.98/24/25/29.97/30/50/59.94/60 Hz 1080P 60/59.94/50 Hz(A&B) 1080I 60/59.94/50 Hz 1080P 30/29.97/25/24/23.98 Hz 1080PsF 29.97/25/24/23.98 Hz 720P 60/59.94/50 Hz	
	HDMI: 4096x2160 23.98/24/25/29.97/30/50/59.94/60Hz 3840x2160 23.98/24/25/29.97/30/50/59.94/60 Hz 1080P 60/59.94/50/30/29.97/25/24/23.98 Hz 1080I 60/59.94/50 Hz 720P 60/59.94/50 Hz	
Interfaces	HDMI input, 12G-SDI input, 12G-SDI loopout, intercom, LAN port, RS232/422, Tally output, power port	HDMI output, 12G-SDI output x2, intercom, LAN port, RS232/422, Tally input, power port
Operating Voltage	DC 9V-36V	
Temperature	-10°C ~ 55°C ; Humidity ≤ 95% (No Condensation)	
Product Size	117(L)x46(W)x192(H)mm	3191 Size: 260(L)x42(W)x160.3(H)mm 3192 Size: 220(L)x45(W)x127(H)mm



SHENZHEN CRYSTAL VIDEO TECHNOLOGY CO.,LTD

ADD: Unit 05-06, Floor 24, Changhong Science & Technology Mansion, Keji 12th Road South, High-tech Industrial Park, Nanshan District, Shenzhen, P.R. China

Post code: 518057
Tel: +86-755-29977913

www.cv-hd.com
E-mail: Marketing@cv-hd.com