

*- Wireless HD Video and Beyond -*

**SHENZHEN CRYSTAL VIDEO TECHNOLOGY CO.,LTD**

ADD: F12, F518 Idea Land, Baoyuan Road, Baoan Central Area, Shenzhen, China

www.cv-hd.com    Tel: +86-755-27750518-6652    E-mail: Sales@cv-hd.com

Facebook: @crystalvideowireless    Instagram: cvwtechnology



## BeamLink Series

Multi-channel wireless HD video transmission

BeamLink-VT02+VR02

BeamLink-Duo Plus

BeamLink-Quad Plus

BeamLink-Quad Plus 1U Rack

BeamLink-Ultimate

BeamLink-Ultimate 1U Rack



[www.cv-hd.com](http://www.cv-hd.com)

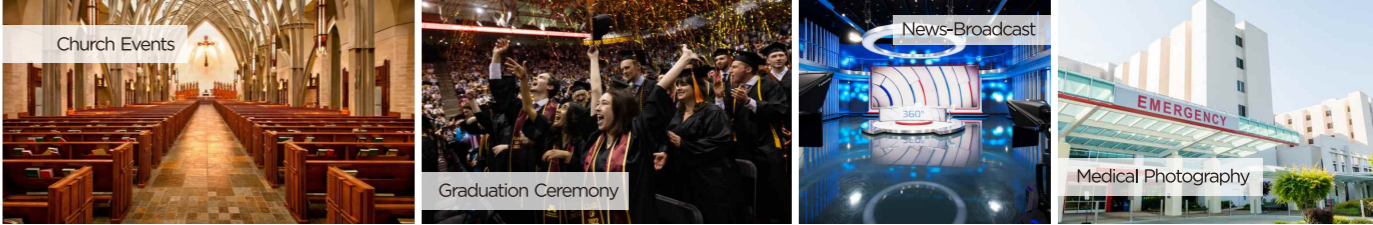
# Application Scenarios

## Company Profile

CVW, what is founded in 2010, is a leading global provider of wireless video transmission solutions and products.

We are committed to bringing leading-edge, reliable wireless video transmission solutions to every person,

organization, and industry for a great and straightforward practical work.



20+

Over 20 Years of R&D Experience in Wireless Video Transmission Field

50+

Over 50 Patents in Wireless Video Transmission Field

60+

Cooperating with Partners over 60 Countries and Districts



Shenzhen, China

# BeamLink-VT02+VR02

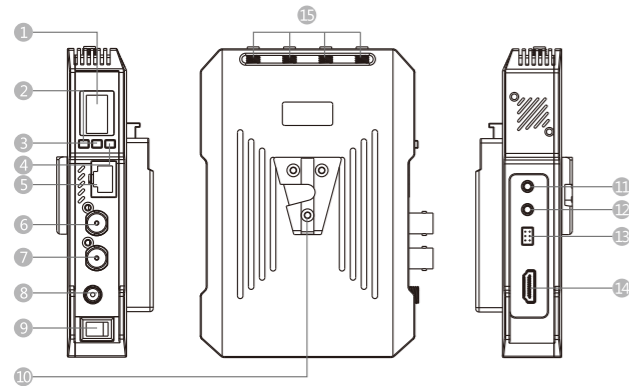
Low-latency Wireless Video Transmission System

Model: 7058 + 3038

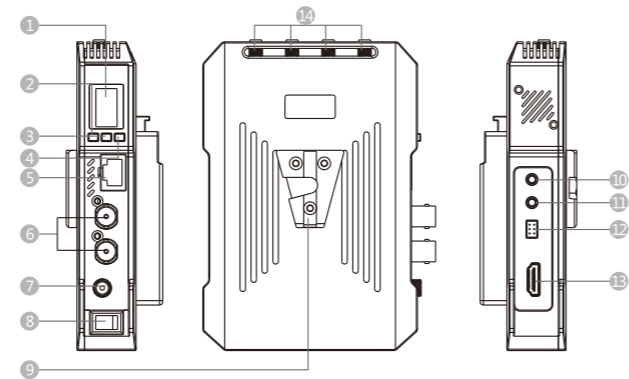
- Support SDI loop out and dual SDI out
- Up to 800 m/2625 ft transmission range(Line-of-Sight)
- Ultra-low latency to 70 ms
- Support channel sweep and interference analysis
- 4x4 MIMO & Beamforming, enhanced anti-interference capability
- Support one mode among RS232, RS422
- Support RTSP streaming mode(RTSP)
- Support Tally
- Full hardware design, plug & play



## Product Interfaces

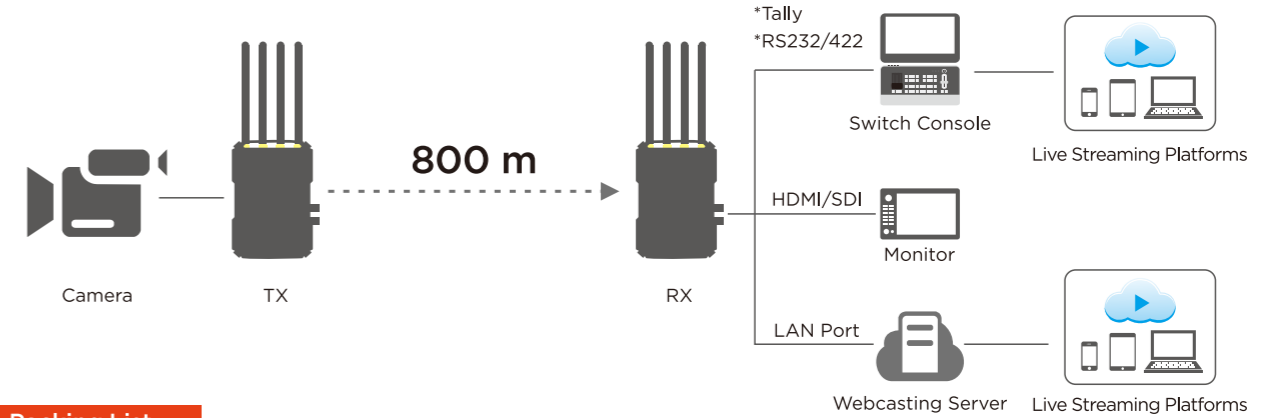


- 1 OLED Display
- 2 CH Button
- 3 Mode Switch Button
- 4 OK Button
- 5 LAN Port
- 6 SDI LOOP OUT
- 7 SDI IN
- 8 DC IN
- 9 Power Switch
- 10 V-Mount Slot
- 11 Tally OUT
- 12 Audio IN
- 13 RS232
- 14 HDMI IN
- 15 Antenna Connectors



- 1 OLED Display
- 2 CH Button
- 3 Mode Switch Button
- 4 OK Button
- 5 LAN Port
- 6 SDI OUT
- 7 DC IN
- 8 Power Switch
- 9 V-Mount Slot
- 10 Tally IN
- 11 Audio IN
- 12 RS232
- 13 HDMI OUT
- 14 Antenna Connectors

## Application Diagram



## Packing List



Item	Transmitters: 7058	Receiver: 3038
Antenna	4x4 MIMO 5dBi External Antenna	
Operating Frequency	5.1-5.8GHz	
Video Resolution	720p50/59.94/60, 1080p23.98/24/25/29.97/30/50/59.94/60, 1080i50/59.94/60	
Interface	HDMI, 3G-SDI, Tally out, SDI loop out, Line in, LAN Port, RS232/422	RS232/422, Tally in, HDMI, 3G-SDI x2, LAN Port, Line out
Transmission Distance	800 m/ 2625 ft	
Operating Voltage	7V-17V	
Power Consumption	12W	7-9W
Audio Format	PCM	
Product Size(mm)	97(L)×33.5(W)×142.5(H)	

# BeamLink-Duo Plus

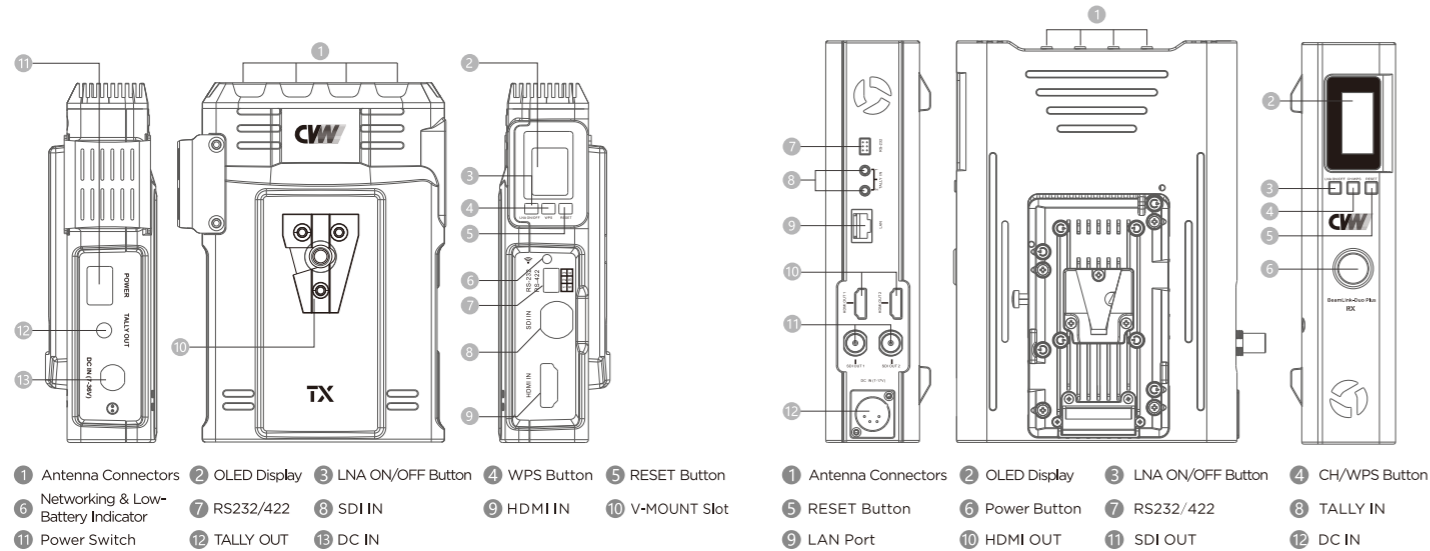
2-Channel Wireless Video Transmission System

Model: 7060x2+3062

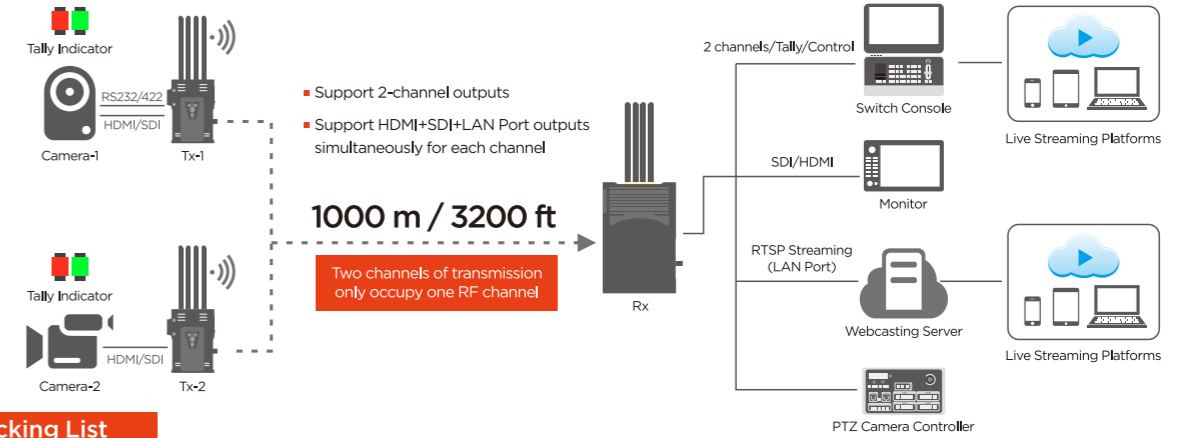
- Support 2-channel wireless video and audio transmission
- 4x4 MIMO and Beamforming technologies enhance immunity to interference and extend the wireless coverage
- Up to 1000 m / 3200 ft transmission range (Line-of-Sight)
- H.265 encoding and decoding
- The system can transmit 1080p 60fps video with less than 70ms latency
- Auto channel switch, auto or manual channel scan function
- Support SDI, HDMI and RTSP streaming output simultaneously
- The system can improve the wireless coverage by adopting the panel antenna
- Support Tally and PTZ camera control functions



## Product Interfaces



## Application Diagram



## Packing List



Item	Transmitters: 7060x2	Receiver: 3062
Antenna Mode	4x4 MIMO 5dBi External Antenna	
Operating Frequency	5.1-5.8GHz	
Video Resolution	1080P 23.98/24/25/29.97/30/50/59.94/60, 1080I 50/59.94/60, 720P 50/59.94/60	
Transmission Distance	1000 m/ 3200 ft( LoS )	
Interface	HDMI*1, 3G-SDI*1, Tally*1, RS232/422*1	HDMI*2, 3G-SDI*2, Tally*1, RS232/422*1, LAN Port*1
Operating Voltage	7V-17V	7V-36V
Power Consumption	MAX 10W	MAX 13W
Operating Power Supply	DC 12V/2A	DC 12V/3A
Product Size(mm)	94(L)x39(W)x126(H)	139(L)x52(W)x199(H)
Temperature	-10 - 50°C(Working);-20-80°C(Storage)	

# BeamLink-Quad Plus

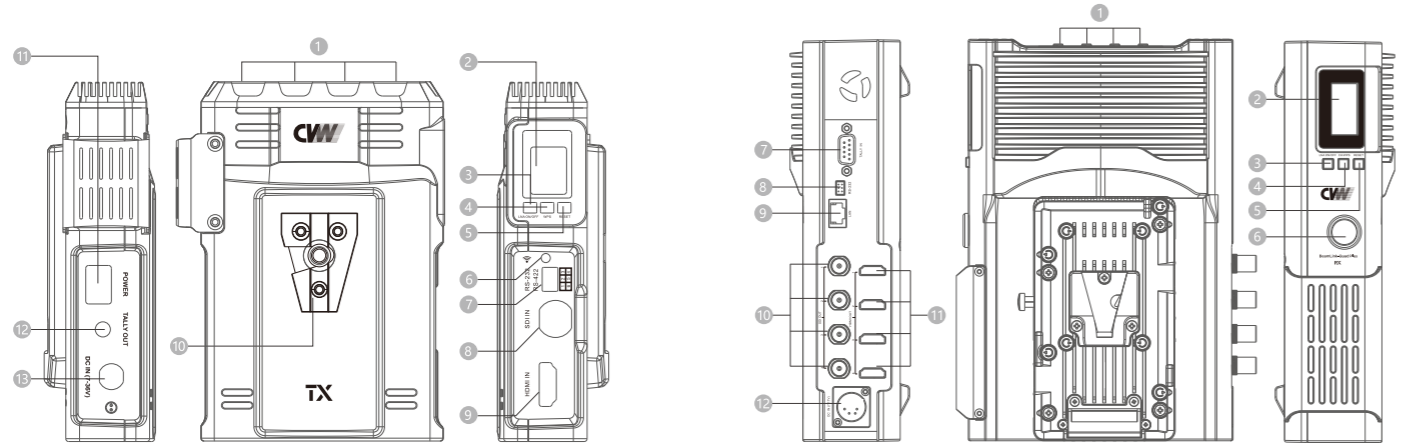
4-Channel Wireless Video Transmission System

Model: 7060x4+3060

- Support 4-channel wireless video and audio transmission
- 4x4 MIMO and Beamforming technologies enhance immunity to interference and extend the wireless coverage
- Up to 800 m / 2600 ft transmission range (Line-of-Sight)
- H.265 encoding and decoding
- The system can transmit 1080p 60fps video with less than 70ms latency
- Auto channel switch, auto or manual channel scan function
- Support SDI, HDMI and RTSP streaming output simultaneously
- The system can improve the wireless coverage by adopting the panel antenna
- Support Tally and PTZ camera control functions



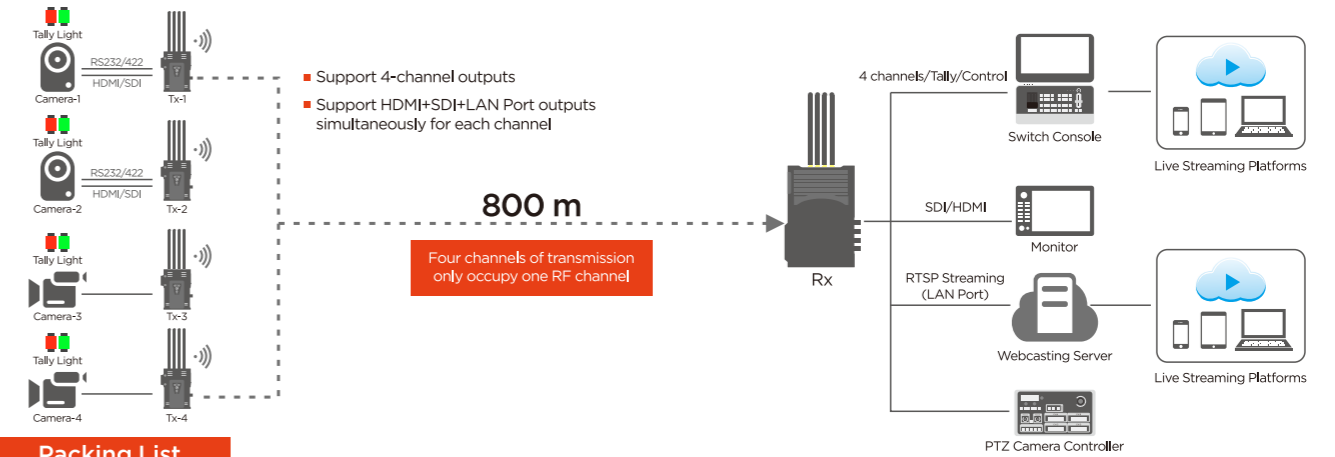
## Product Interfaces



- 1 Antenna Connectors 2 OLED Display 3 LNA ON/OFF Button 4 WPS Button 5 RESET Button  
6 Networking & Low-Battery Indicator 7 RS232/422 8 SDI IN 9 HDMI IN 10 V-MOUNT Slot  
11 Power Switch 12 TALLY OUT 13 DC IN

- 1 Antenna Connectors 2 OLED Display 3 LNA ON/OFF Button 4 CH/WPS Button  
5 RESET Button 6 Power Button 7 TALLY IN 8 RS232/422  
9 LAN Port 10 SDI OUT 11 HDMI OUT 12 DC IN

## Application Diagram



## Packing List



Item	Transmitters: 7060x4	Receiver: 3060
Antenna Mode	4x4 MIMO 5dBi External Antenna	
Operating Frequency	5.1-5.8GHz	
Video Resolution	1080P 23.98/24/25/29.97/30/50/59.94/60, 1080I 50/59.94/60, 720P 50/59.94/60	
Transmission Distance	800 m/2600 ft ( LoS )	
Interface	HDMI*1, 3G-SDI*1, Tally*1, RS232/422*1	HDMI*4, 3G-SDI*4, Tally*1, RS232/422*1, LAN Port*1
Operating Voltage	7V-17V	7V-36V
Power Consumption	MAX 10W	MAX 20W
Operating Power Supply	DC 12V/2A	DC 12V/3A
Product Size(mm)	94(L)×39(W)×126(H)	176(L)×81(W)×235(H)
Temperature	-10 - 50°C(Working);-20-80°C(Storage)	

# BeamLink-Quad Plus 1U Rack

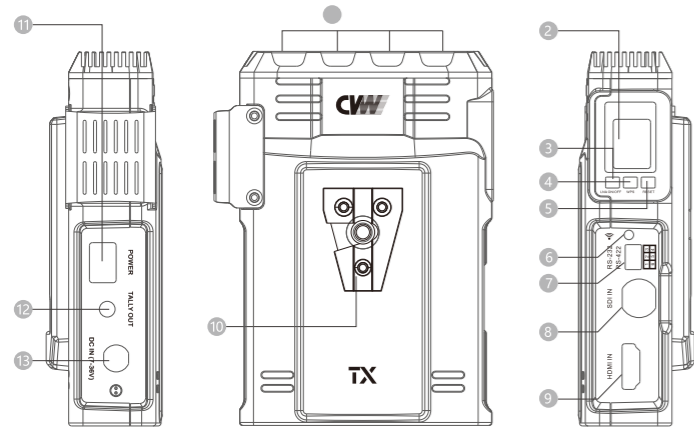
4-Channel Wireless Video Transmission System

Model: 7060x4+3066

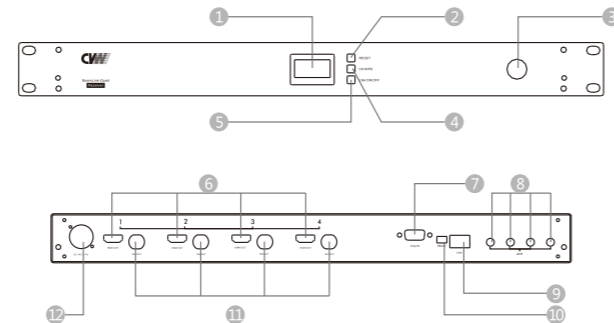
- Support 4-channel wireless video and audio transmission
- 4x4 MIMO and Beamforming technologies enhance immunity to interference and extend the wireless coverage
- Up to 800 m / 2600 ft transmission range (Line-of-Sight)
- H.265 encoding and decoding
- The system can transmit 1080p 60fps video with less than 70ms latency
- Auto channel switch, auto or manual channel scan function
- Support SDI, HDMI and RTSP streaming output simultaneously
- The system can improve the wireless coverage by adopting the panel antenna
- Support Tally and PTZ camera control functions
- Support combine with 6689 to achieve further transmission



## Product Interfaces

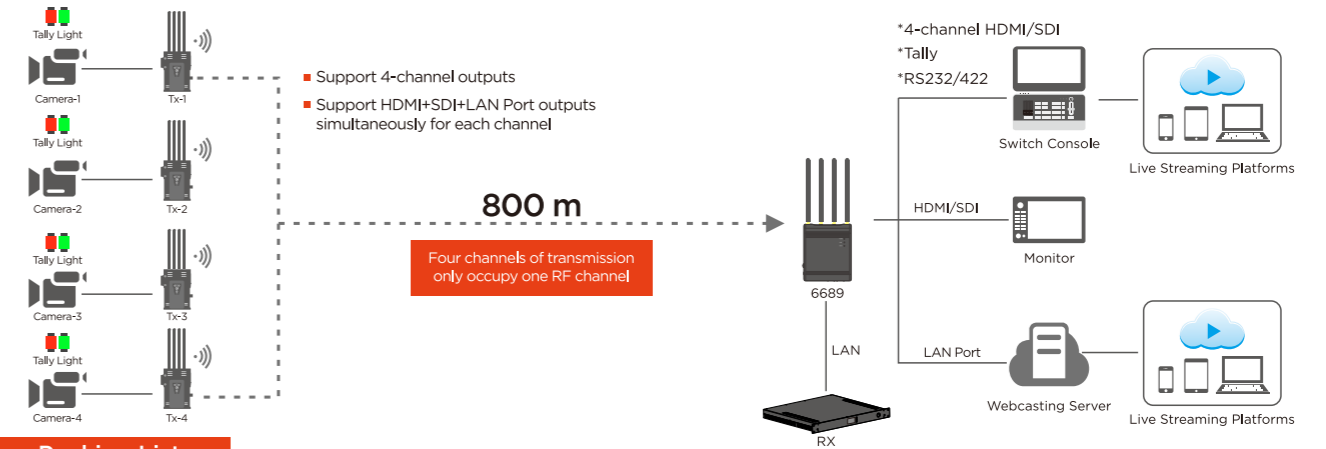


- 1 Antenna Connectors
- 2 OLED Display
- 3 LNA ON/OFF Button
- 4 WPS Button
- 5 RESET Button
- 6 Networking & Low-Battery Indicator
- 7 RS232/422
- 8 SDI IN
- 9 HDMI IN
- 10 V-MOUNT Slot
- 11 Power Switch
- 12 TALLY OUT
- 13 DC IN



- 1 OLED Display
- 2 Reset
- 3 Power Switch
- 4 CH/WPS
- 5 LNA ON/OFF
- 6 HDMI OUT
- 7 TALLY IN
- 8 Antenna Connectors
- 9 LAN
- 10 RS232/422
- 11 SDI OUT
- 12 DC-IN

## Application Diagram



## Packing List



Item	Transmitters: 7060x4	Receiver: 3060
Antenna Mode	4x4 MIMO 5dBi External Antenna	
Operating Frequency	5.1-5.8GHz	
Video Resolution	1080P 23.98/24/25/29.97/30/50/59.94/60, 1080I 50/59.94/60, 720P 50/59.94/60	
Transmission Distance	800 m/2600 ft ( LoS )	
Interface	HDMI*1, 3G-SDI*1, Tally*1, RS232/422*1	HDMI*4, 3G-SDI*4, Tally*1, RS232/422*1, LAN Port*1
Operating Voltage	7V-17V	7V-36V
Power Consumption	MAX 10W	MAX 20W
Operating Power Supply	DC 12V/2A	DC 12V/3A
Product Size(mm)	94(L)×39(W)×126(H)	430(L)×401(W)×43(H)
Temperature	-10 - 50°C(Working);-20-80°C(Storage)	

# BeamLink-Ultimate

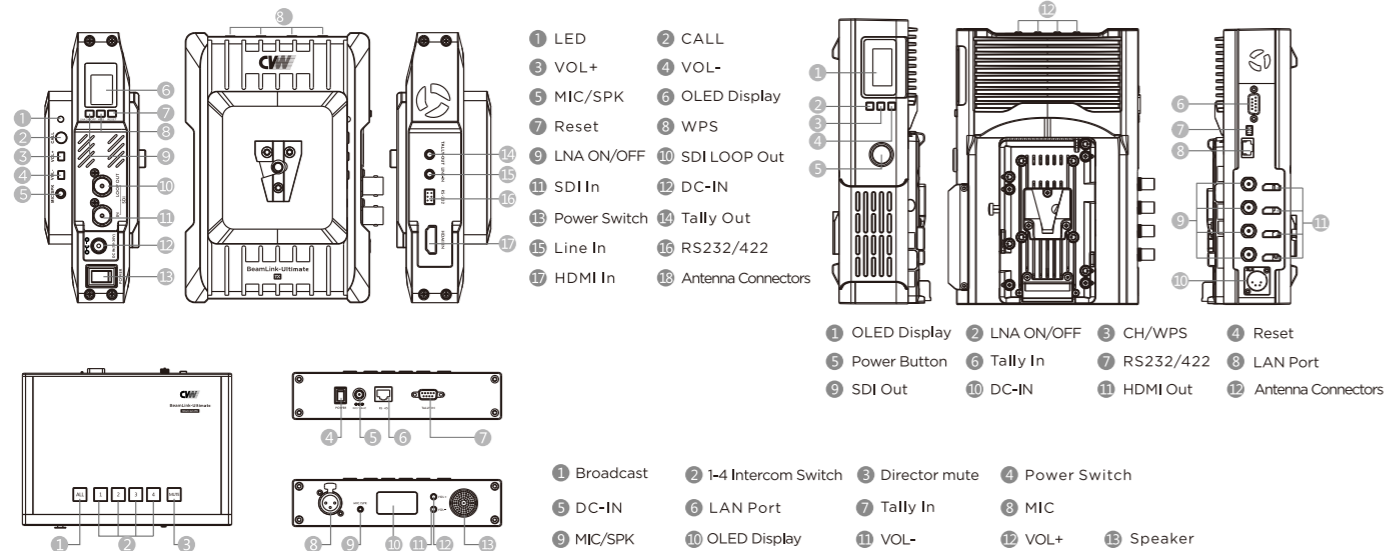
All-in-one Wireless Transmission + Intercom + Signals Control

Model: 7081x4+3081+3060

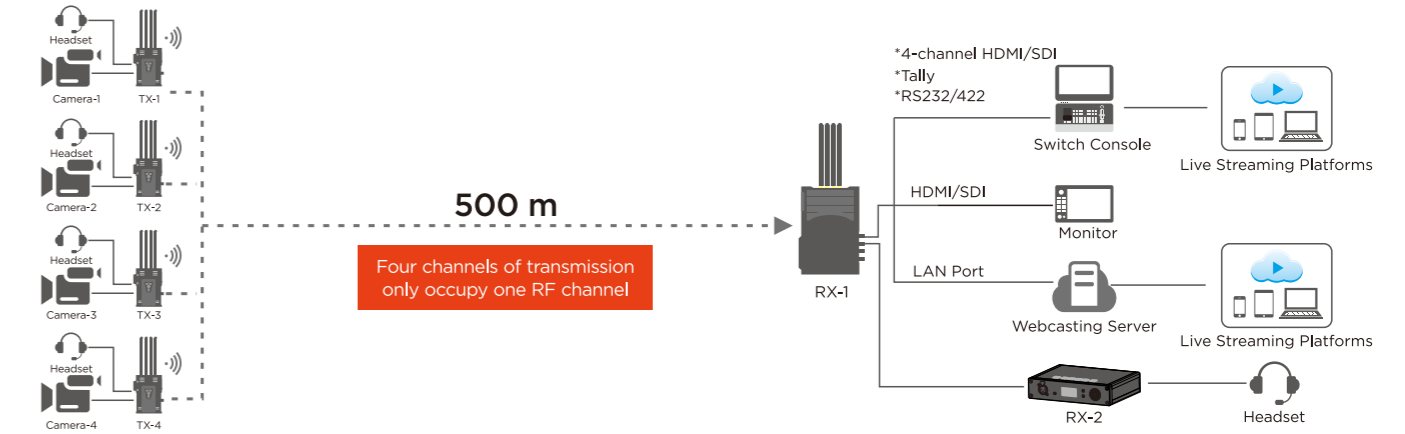
- Four-camera transmission: 1080p60 video + voice intercom + Tally+ RS232/422/485 control signals;
- Up to 500 m/1600 ft transmission range (LOS)
- Support full-duplex voice intercom
- Support 4x4 MIMO and Beam-Forming technologies
- Ultra-low latency to 70 ms
- Support channel scan and interference analysis
- Support RTSP streaming mode
- Support SDI+HDMI inputs and outputs



## Product Interfaces



## Application Diagram



## Packing List



Item	Transmitters: 7081*4	Receiver:3060	Intercom Console:3081
Antenna Mode	4*4 MIMO 5dBi External Antenna		
Operating Frequency	5.1-5.8GHz		
Video Resolution	720p50/59.94/60, 1080p23.98/24/25/29.97/30/50/59.94/60, 1080i50/59.94/60		
Audio Format	PCM		
Headset & Mic	2*3-pin 3.5 mm port		
Transmission Distance	500 m/1640 ft		
Interface	HDMI, 3G-SDI in, SDI loop out; Tally out, RS232/422	RS232/422, Tally, HDMI*4, 3G-SDI*4, LAN Port	Interface LAN Port, DC-IN, DB9(Tally in), MIC, MIC/SPK, Loudspeaker, Function button with*6, Volume button*2, OLED display
Operating Voltage	7V-17V		Button 1-4 Intercom switch; Director mute; Broadcast; Volume buttons
Power Consumption	10W	20W	Power Consumption 20W
Power Supply	DC 12V/2A	DC 12V/3A	Power Supply DC 12V/2A

# BeamLink-Ultimate 1U Rack

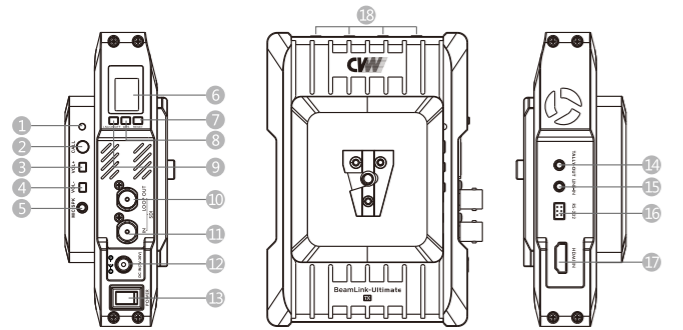
All-in-one Wireless Transmission + Intercom + Signals Control

Model: 7081x4+3081+3060

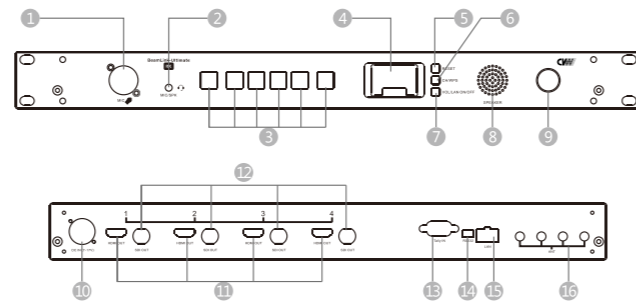
- Four-camera transmission: 1080p60 video + voice intercom +Tally+ RS232/422/485 control signals;
- Up to 500 m/1600 ft transmission range (LOS)
- Support full-duplex voice intercom
- Support 4x4 MIMO and Beam-Forming technologies
- Ultra-low latency to 70 ms
- Support channel scan and interference analysis
- Support RTSP streaming mode
- Support SDI+HDMI inputs and outputs
- Support combine with 6689 to achieve further transmission



## Product Interfaces

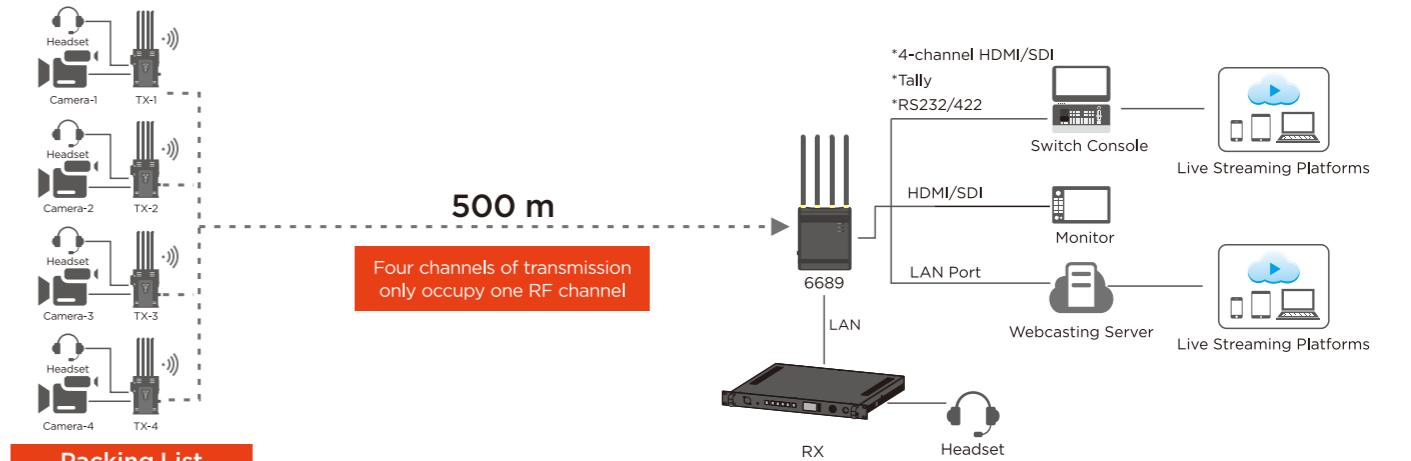


- 1 LED
- 2 CALL
- 3 VOL+
- 4 VOL-
- 5 MIC/SPK
- 6 OLED Display
- 7 Reset
- 8 WPS
- 9 LNA ON/OFF
- 10 SDI LOOP Out
- 11 SDI In
- 12 DC-IN
- 13 Power Switch
- 14 Tally Out
- 15 Line In
- 16 RS232/422
- 17 HDMI In
- 18 Antenna Connectors



- 1 MIC
- 2 MIC/SPK
- 3 1-6 Intercom switch
- 4 OLED Display
- 5 Reset
- 6 CH/WPS
- 7 VOL/LNA ON/OFF
- 8 Speaker
- 9 Power Switch
- 10 DC-IN
- 11 HDMI Out
- 12 SDI Out
- 13 Tally In
- 14 RS232/422
- 15 LAN
- 16 Antenna Connectors

## Application Diagram



## Packing List



Item	Transmitters: 7081*4	Receiver:3105
Antenna Mode	4*4 MIMO 5dBi External Antenna	
Operating Frequency	5.1-5.8GHz	
Video Resolution	720p50/59.94/60, 1080p23.98/24/25/29.97/30/50/59.94/60, 1080i50/59.94/60	
Audio Format	PCM	
Headset & Mic	2*3-pin 3.5 mm port	1. 3-pin 3.5 mm port; 2. XLR
Interface	HDMI, 3G-SDI in, SDI loop out, Tally out, RS232/422	RS232, DC-IN, DB9(Tally in), MIC, MIC/SPK, Function button*6, Volume button*2, OLED display, HDMI*4; SDI*4
Transmission Distance	500 m/1640 ft	
Operating Voltage	7V-17V	
Power Consumption	10W	20W
Power Supply	DC 12V/2A	DC 12V/3A