

BeamLink-VT02+VR02

Low-latency Wireless Video Transmission System

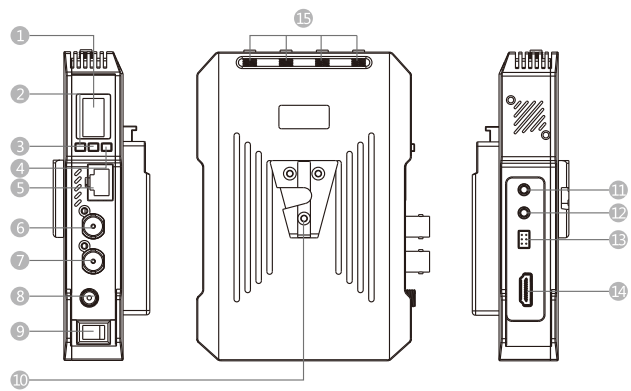
Model: 7058+3038

- Support SDI loop out and dual SDI out
- Up to 800 m/2625 ft transmission range(Line-of-Sight)
- Ultra-low latency to 70 ms
- Support channel sweep and interference analysis
- 4x4 MIMO & Beamforming, enhanced anti-interference capability
- Support one mode among RS232, RS422
- Support RTSP streaming mode(RTSP)
- Support Tally
- Full hardware design, plug & play

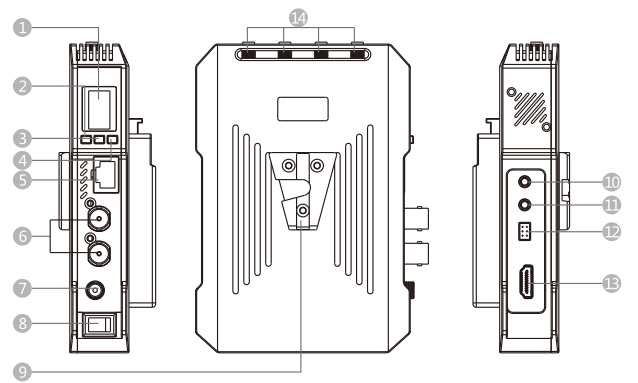


Range 800m	Ultra Low Latency	IP Streaming	5GHz Frequency	SDI HDMI	FullHD 1080P High Definition
----------------------	----------------------	-----------------	-------------------	-------------	------------------------------------

Product Interfaces



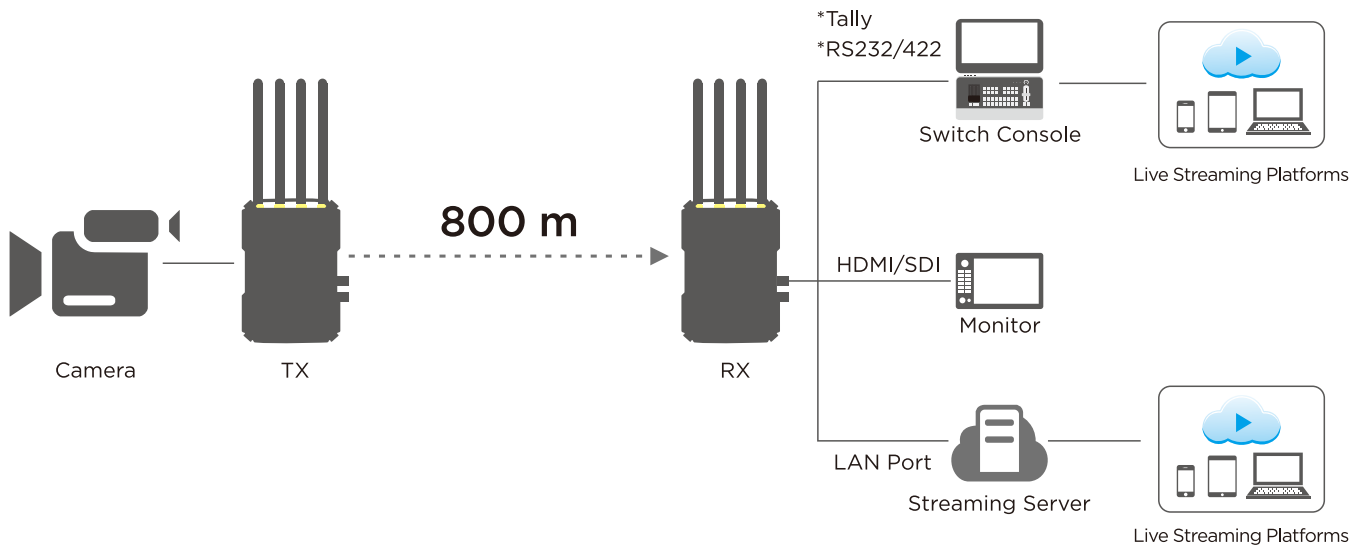
- | | | | |
|----------------|----------------|----------------------|-------------|
| ① OLED Display | ② CH Button | ③ Mode Switch Button | ④ OK Button |
| ⑤ LAN Port | ⑥ SDI LOOP OUT | ⑦ SDI IN | ⑧ DC IN |
| ⑨ Power Switch | ⑩ V-Mount Slot | ⑪ Tally OUT | ⑫ Audio IN |
| ⑬ RS232 | ⑭ HDMI IN | ⑮ Antenna Connectors | |



- | | | | |
|----------------|----------------------|----------------------|----------------|
| ① OLED Display | ② CH Button | ③ Mode Switch Button | ④ OK Button |
| ⑤ LAN Port | ⑥ SDI OUT | ⑦ DC IN | ⑧ Power Switch |
| ⑨ V-Mount Slot | ⑩ Tally IN | ⑪ Audio IN | ⑫ RS232 |
| ⑬ HDMI OUT | ⑭ Antenna Connectors | | |



Application Diagram



Item	Transmitter:7058	Receiver:3038
Antenna	4*4 MIMO, 5dBi External Antenna	
Operating Frequency	5.1-5.8 GHz	
Channel Bandwidth	40 MHz	
Video Resolution	720p50/59.94/60, 1080p23.98/24/25/29.97/30/50/59.94/60, 1080i50/59.94/60	
Input/Output	HDMI, 3G-SDI, Tally out, SDI loop out, Line in, LAN Port, RS232/422	RS232/422, Tally in, HDMI, 3G-SDI x2, LAN Port, Line out
Transmit Power	17dbm (per antenna)	Receiving Sensitivity: ≤-70dBm
Transmission Range	800 m/ 2625 ft	
Audio Format	PCM	
Video Compression Format	H.264	
Operating Voltage	7V-17V	
Operating Power Supply	DC 12V/2A	
Power Consumption	12W	7-9W
Product Size(mm)	97(L)×33.5(W)×142.5(H)	
Temperature	-10°C - 50°C(Working);-20°C-80°C(Storage)	

Packing List



Transmitter *1

Receiver *1

Antenna *10

SDI Cable *2

Power Adapter(12V/2A) *1

Hot shoe *2

V-mount *1

RS232 Cable *2



SHENZHEN CRYSTAL VIDEO TECHNOLOGY CO.,LTD

ADD: F12,F518 Idea Land,Baoyuan Road,Baoan Central Area,Shenzhen,China

Post code: 518102

Tel: +86-755-27750518-6652

E-mail: Sales@cv-hd.com

www.cv-hd.com

Fax: +86-755-29188427

E-mail: Marketing@cv-hd.com