



PRO VUE

5.5" Zero Latency Wireless Monitor Kit

Model: CC8980+3104

- 5.5-inch Full HD touchscreen, 1500 nits brightness, weighing only 405g
- Display critical follow focus information as overlays directly on the monitor
- Zero latency and uncompressed video transmission
- Transmission range up to 200 m/ 650 ft(Line-of-Sight)
- Support HDMI & HD-SDI input, SDI loop output
- Support multicast, multiple channels
- Support SONY NP-F series battery
- The monitor can be powered by the follow focus system
- Support HDR, 3D LUT import & video analysis functions
- The monitor is compatible with all PRO series and third party transmitters



200 m



Zero Latency



1500 nits



5.5" Display



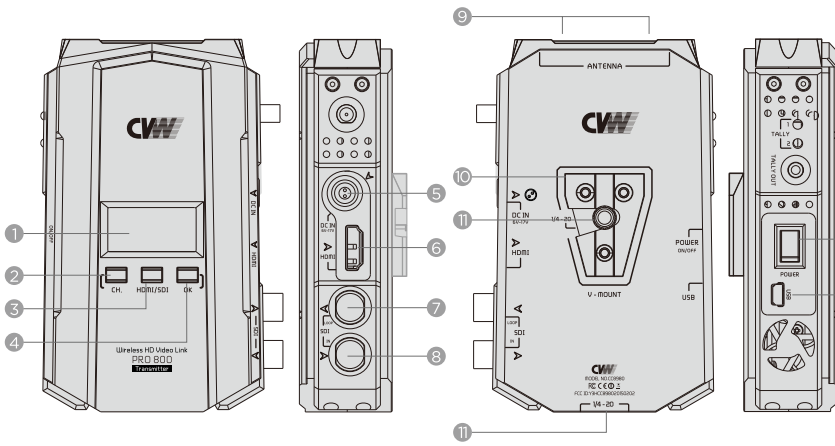
Follow Focus
Dashboard



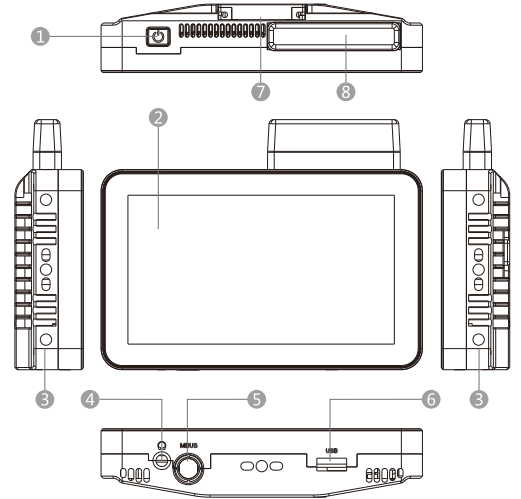
3D LUT



HDMI + HD-SDI



- ① OLED Display ② Channel Switch ③ Signal Input Selection ④ OK Button
- ⑤ Power IN(LEMO) ⑥ HDMI IN ⑦ SDI LOOP OUT ⑧ SDI IN
- ⑨ Antenna Connector ⑩ V-Mount ⑪ 1/4 Cold-Shoe Mount
- ⑫ Power ON/OFF ⑬ Mini USB Port



- ① Power ON/OFF ② Touch Screen
- ③ 1/4 Cold-Shoe Mount ④ 3.5mm Audio Jack
- ⑤ MBUS ⑥ USB-A Port
- ⑦ NP-F Battery Plate ⑧ Built-In Antennas

ITEM	SPECIFICATION
Bandwidth	40MHz
Frequency	5.1-5.9(GHz)
Video Formats	1080p(23.98/24/25/30/50/60Hz), 1080p(23.98/24/25PSF), 1080i(50/59.94/60Hz), 720p(50/59.94/60Hz), 576p, 576i, 480p, 480i
Audio Formats	PCM
Transmission Range	200 m (Line-of-Sight)
Transmitter: CC980	
Antenna	External Antenna x 2
Transmission Power	20dBm
Functional Interface	HDMI IN; SDI IN; SDI LOOP OUT; Mini USB; LEMO Power IN; Antenna Connector; Power On/OFF
Mounting	V-mount; 1/4" Cold-shoe mount
OLED Display	Channel NO. ; Signal Info
Operating Voltage	6-17 V
Power Consumption	12 W
Dimensions (mm)	119x79x32 mm
Temperature	-10 - 50°C (Operating); -40 - 80°C (Storage)
Monitor: 3104	
Resolution	1920×1080
Brightness	1,500 nits
Contrast	1000:1
Viewing Angle	178° (H/V)
Backlight	LED
Antenna	Built-in antennas
Receiving Sensitivity	-70dBm
Operating Voltage	DC 7-36 V
Power Consumption	15 W
Temperature	-10 - 50°C (Operating); -40 - 80°C (Storage)