



Swift Z Introduction

5.5" Wireless Monitors with HDMI Output



CONTENT

Overview.....	1
Features.....	1
Interface.....	2
Menu.....	3
Specifications.....	5
Application Scenarios.....	7



Overview

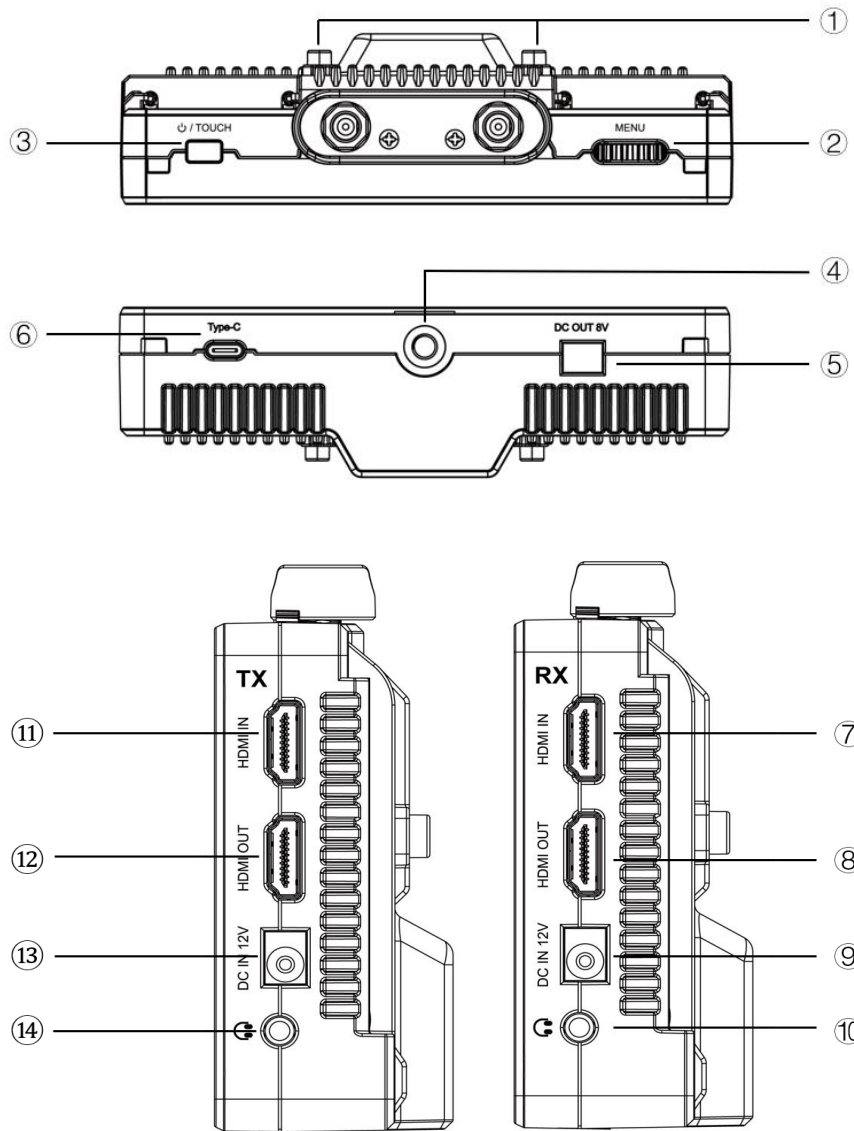
The Swift Z is a set of 5.5" touch-screen monitors with a built-in wireless receiver and a built-in wireless transmitter, respectively. It is easy to see, easy to use and easy to install. It can help the video production teams to simplify carried devices and save costs. In addition, the small and lightweight design can be adapted to many types of cameras. Compared with the monitors on the market, the Swift Z is more professional and convenient that can be used for film and TV production, live streaming, wedding, and so on. Swift Z is a must-have item for video production teams.

Features

1. 5.5" touch-screen monitors with built-in wireless video transmission modules.
2. Including a wireless TX monitor (on-camera monitor) and a wireless RX monitor.
3. Ultra-low Latency $\leq 70\text{ms}$.
4. Up to 800ft wireless transmission.
5. Up to 1080p60Hz.
6. Multiple RF channels are available.
7. Support HDMI input and output, audio output.
8. Support HDR display, 3D LUT import, professional video analysis functions.
9. Support Dual NP-F battery slots and battery switching.
10. Support 500 nits of brightness.
11. Support power for camera.
12. Lightweight and easy installation.

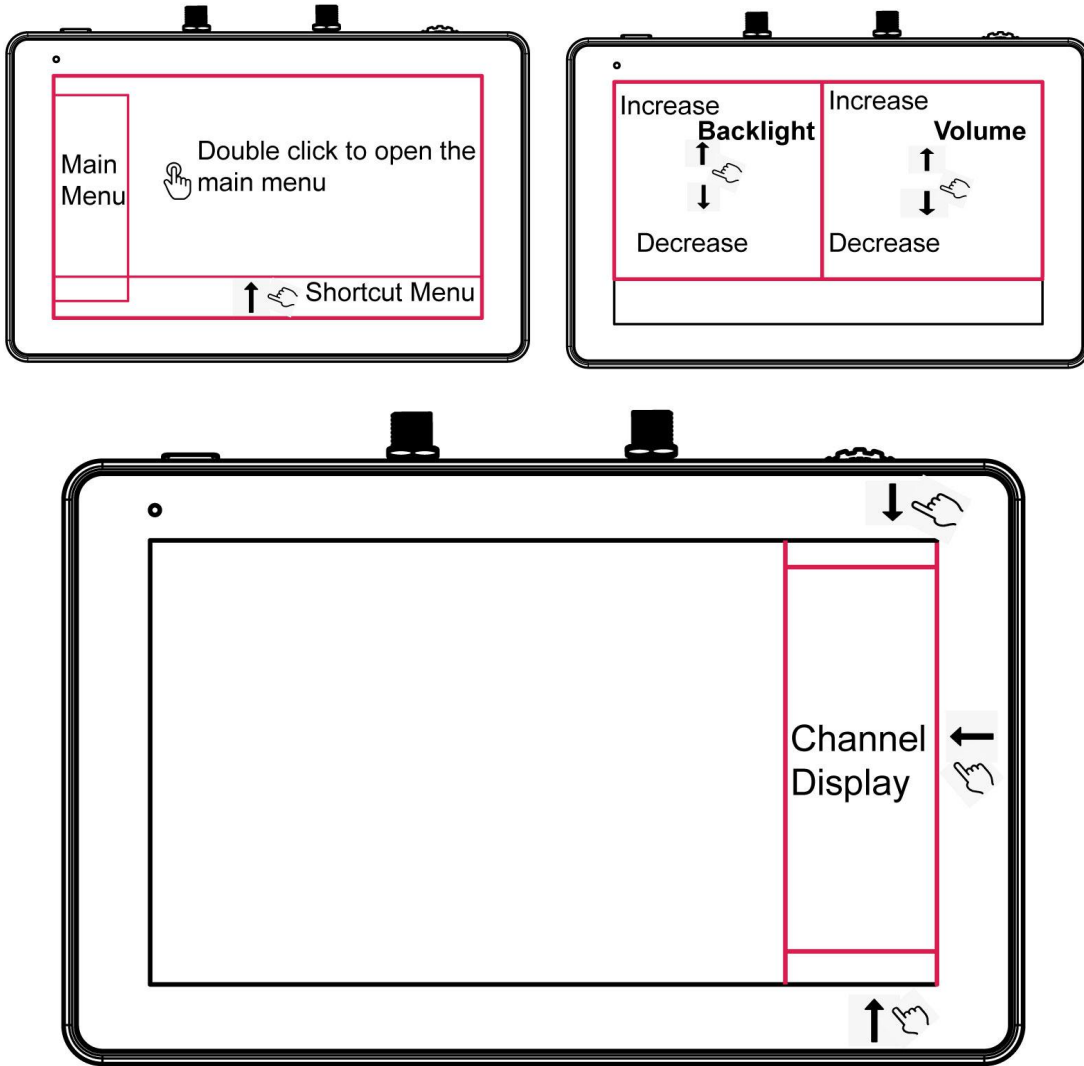
Interface

Transmitter (7109)+Receiver (3109)



- ① Antenna port
- ② Menu
- ③ Power & Touch off Switch
- ④ 1/4-20 thread point
- ⑤ DC OUT 8V
- ⑥ Type-C
- ⑦ & ⑪ HDMI IN
- ⑧ & ⑫ HDMI OUT
- ⑨ & ⑬ DC IN 12V
- ⑩ & ⑭ Audio output

Menu



Menu Function Introduction



All Waves	Parada	Vector	Histogram	Focus Assist	Focus Level
Focus Color	Audio Meter	Zebra	Zebra Value	Monochrome	False Color



Nine Grid	Safety Marker	Center Marker	Marker Mat	Marker Mat Alpha	Marker Color
-----------	---------------	---------------	------------	------------------	--------------



Scan Mode	Video Aspect (auto, 16:9, 16:10, 4:3, 5:4, 1.85:1, 2.35:1, stretch, user)	Anamorphic Mode	Auto Mirror	Pixel to Pixel
Flip H	Flip V	Zoom Times	Freeze	



HDR	Lut Switch	Colortemp	Backlight	Brightness
Contrast	Saturation	Hue	Sharpness	



Wheel	Language	Transparency	OSD Time	Touch
Volume	Mute	Reset	Firmware Update	

Specifications

Panel Size	5.5" touch screen
Resolution	1920 × 1080 pixels
Frequency	5.1 ~ 5.9(GHz)
Audio Format	PCM
System Latency	70ms
Video Compression Format	H.264
Transmission	250m/800ft (open environment)



Antenna Mode	2dBi x 2
Dot Pitch	0.0639 (H) × 0.0213 (W) mm
Pixel Density	400PPI
Aspect Ratio	16:9
Brightness	500cd/m ²
Contrast	1000:1
Viewing Angle	80°/80°(L/R) 80°/80°(U/D)
Backlight	LED
Adjustable Backlight	Yes
Input	HDMI V1.4
Output	HDMI V1.4, 3.5mm stereo headphone jack
Power In	DC IN 12V, Barrel (5.5mm outer, 2.1mm inner)
Power Out	DC OUT 8V, Barrel (5.5mm outer, 2.1mm inner; Power DSLR or mirrorless camera)

HDMI Input/ Output Support Format	<p>Wireless Transmission Opening</p> <p>480P,576I,576P,720P60/59.94/50,1080I50/59.94/60</p> <p>1080p23.98/24/25/29.97/30/50/59.97/60</p>
	<p>Wireless Transmission Closing</p> <p>480P,576I,576P,720P60/59.94/50,1080I50/59.94/60</p> <p>1080p23.98/24/25/29.97/30/50/59.97/60</p> <p>4K UHD 3840×2160p (30/29.97/25/24/23.98Hz)</p> <p>DCI 4K 4096×2160p (24Hz)</p>
Power Input Voltage	7 ~ 24V
Power Consumption	≦ 18W
Unit Size (mm)	148Lx93Hx20W (mm)
Unit Weight	370g (TX) , 370g (RX)
Mount Point	one ¼-20 thread point on bottom
Working Temperature	-20℃ ~ 55℃
Storage Temperature	-30℃ ~ 65℃

Application Scenarios



**Film & TV
Production**



Commercial Ads



Wedding



Live Streaming



School Events



Runway Show