

Thunder PRO-Duo

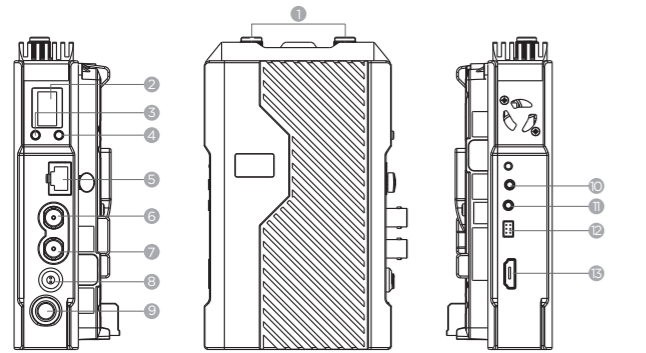
Two-Channel Non-Line-Of-Sight Wireless Video Transmission

Model: 7106*2 + 3107

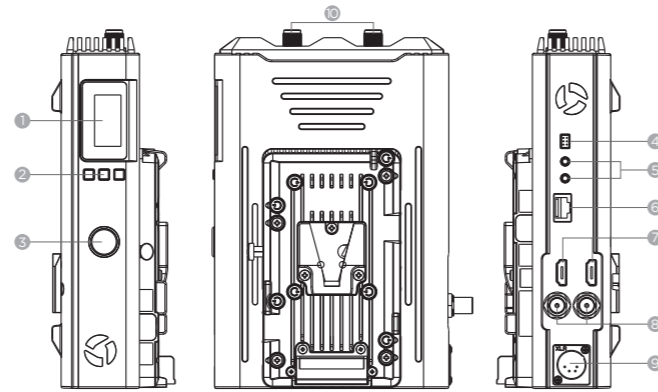
- Excellent non-line-of-sight transmission performance
- Ultra-long distance range up to 1000 meters (NLOS)
- Two-channel wireless video and audio transmission, only occupies one wireless channel
- H.265 encoding and decoding
- Support AES128-bit encryption
- Support Tally, RS232/422 control signals, meeting the PTZ camera control needs
- Support SDI or HDMI in, dual SDI out and SDI loopout
- Support SDI, HDMI and RTSP streaming output simultaneously
- Fan could be manually disabled to eliminate noise



Product Interfaces

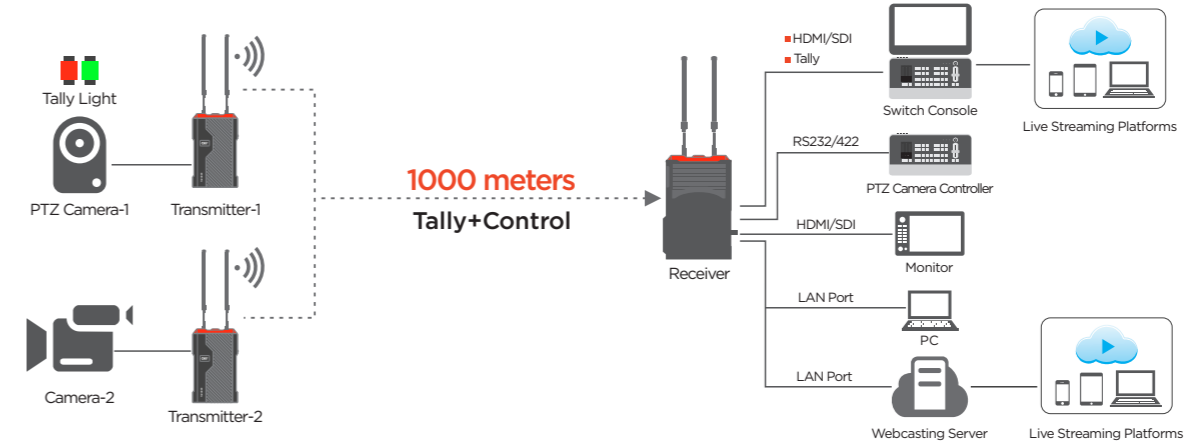


- 1 Antenna Connectors
- 2 OLED Display
- 3 MODE
- 4 OK
- 5 LAN
- 6 SDI LOOP OUT
- 7 SDI IN
- 8 DC IN
- 9 Power Switch
- 10 TALLY OUT
- 11 MIC IN
- 12 RS232/422
- 13 HDMI IN



- 1 OLED Display
- 2 OK
- 3 Power Switch
- 4 RS232/422
- 5 TALLY IN
- 6 LAN
- 7 HDMI OUT
- 8 SDI OUT
- 9 DC IN
- 10 Antenna Connectors

Application Diagram



Packing List



Item	Transmitter:7106*2	Receiver:3107
Antenna	2x2 MIMO	
Operating Frequency	1.4GHz	
HDMI Protocol	HDMI 1.3; HDMI 1.4	
SDI Protocol	HD/3G(A/B) SMPTE 424M SMPTE 296M SMPTE 274M	
Transmission Distance	1000 m/3280 ft (NLOS)	
Operating Voltage	7V-36V	
Interface	HDMI, 3G-SDI, Tally out, SDI loopout, MIC in, RJ45, RS232/422	HDMI*2, 3G-SDI*2, Tally in, RJ45, RS232/422
Power Consumption	12W	13W
Power Supply	V-mount/A-mount/DV/ NPF battery slot	V-mount/A-mount battery slot